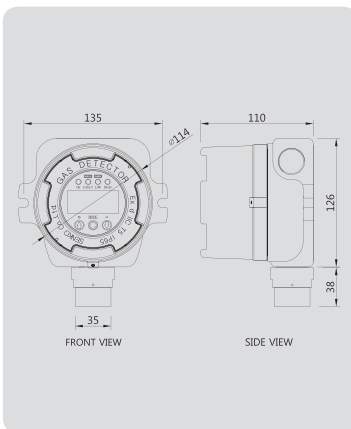


Fixed Gas Detector SI-100

Explication and Features

SI-100 is a fixed gas detector installed in a place where potential gas hazard exists to measure oxygen, toxic gas and combustible gas. It shows not only the concentration of gas but also diagnostic result of the unit itself through the LCD display and can be connected to the controller with a standard 4-20mA analog output communication or RS-485 digital communication.



- SI-100 measures the concentration of the flammable gas, toxic gas, oxygen and display with LCD
- Easy magnetic bar operation
- Big digital LCD installed with a blue backlight
- Explosive proof structure
- Water/dust proof structure
- Simple gas calibration

Applications

Steelworks, Petrochemical plant, Shipbuilding yard, Sewage treatment plant, Mine, Power supply works, Hermetically sealed area (manhole, tank)



Specification

※ Varicus gas sensors can be applied

Model	SI-100			
Measuring gas	Combustible gas	O ₂	CO, H ₂ S, SO ₂ , NH ₃	H ₂
Measuring type	Diffusion Type			
Measuring method	Catalytic	Electrochemical cell	Electrochemical cell	Electrochemical cell
Measuring range	0~100%LEL	0~30%VOL	CO:0~500ppm, H ₂ S:0~100ppm, SO ₂ :0~20ppm, NH ₃ :0~100ppm	0~1,000ppm
Sensor life time	> 2 years	> 18Month	> 2 year	> 2 year
Response time	<15sec/90%scale	<15sec/90%scale	<30sec/90%scale	<30sec/90%scale
Accuracy	±3%/Full scale			
Resolution	1%LEL	0.1%VOL	1PPM	1PPM
Parameter Control	Front 3 magnetic switch(calibration, maintenance, alarm setting)			
Operation mode display	Digital LCD display, LCD Backlight, 4 Indicator LED			
Measuring value display	Digital LCD Display(4-digit)			
Alarm display	Visual : LCD alarm display, LCD Backlight, Indicator LED			
Alarm output signal	Relay contact(Max 30Vdc, 5A) when Alarm occurred			
Alarm level set	Programmable within dectection range			
Output signal	Analog : 4-20mA, Digital : RS-485(Optional)			
PC interace	RS_485(Optional)			
Cable/Distance	Power + Signal cable : 3-wire 1.5sq(AWG16)/2,500m max RS-485 data communication cable : 1 pair(UL2919 RS-485)/1,200m max			
Conduit connection	NPT 3/4" (2way)			
Mounting type	Wall mount			
Program set mode	Alarm value(1,2,3 alarm)	Alarm time(instant&delay)1~30min	Alarm dead band	Relay output on/off
Operating temperature	-20°C~50°C			
Operating humidity	5% to 95% RH(Non-condensing)			
Operating power	10~30Vdc 600mA			
Material	Aluminium, Stainless steel(STS304)			
LCD size	55(W) × 30(H) mm			
Dimensions	135(W) × 164(H) × 110(D)mm			
Weight	1.9kg			
Approval	Ex d IIC T5 IP65(IECEx)			