

USER'S MANUAL FOR DIFF. PRESSURE CONTROLLER

AI-DDPC



For any technical assistance, please feel free to contact factory at the below address...

ACE INSTRUMENTS

(An ISO 9001-2008 Certified Company)

Plot No.77, Shaktipuram, Industrial Estate Kukatpally, Prashantinagar,
Hyderbad - 500072 .Phones: +91-40-23078848, 32901226

Email: sales@alwaysace.com

Website: www.alwaysace.com

SR .NO	SUBJECTS	PAGE NO
1.	INTRODUCTION	2
2.	APPLICATION	3
3.	TECHNICAL SPECIFICATIONS	4
4.	FLOW CHART	5
5.	WIRING DETAILS	8



1. INTRODUCTION:-

The DIFFERENTIAL PRESSURE CONTROLLER is a microcontroller based controller for indicating and control differential pressure between 2 points of measurement. This instrument has been designed mainly to monitor and control differential pressure using imported integrated sensors .

- The Differential Pressure Controller measuring in the range of 0 to 3000 mm.W.C.

The front panel operation has been specially designed for user friendly operations. There are commands for directing mode settings, alarm settings and output settings.

The documentation presented here describes the front panel operation in detail. The user is requested to go through this manual and simultaneously give commands on the panel of the indicator.



3. Technical Specifications

- **Sensor Type** : Piezo Resistive Sensor for Differential Pressure
- **Range** : **0 to 3000mm.W/c**
- **Resolution** : Fixed 1 for mm.W.C.
- **Accuracy** : +/- 0.5% F.S. for Differential Pressure
- **Differential Pressure Entry** : 2 Nos. 4 mm. Hose Nipples at top

- **Setting** : By 4 keys on the the enclosure front plate

- **Supply Voltage** : 24 V.D.C., 200 mA

- **Mounting** : Aluminium LM-6 Powder Coated Body with flush Bezel fitment,

2. APPLICATION:-

1. Pharma Clean Rooms,
2. Air Handling Units,
3. APIs,
4. Bulk Drugs,
5. Electronic Hardware Manufacturing Plants,
6. Semiconductor Manufacturing, Hospitals & Operation Theatres ,Green Houses, etc.

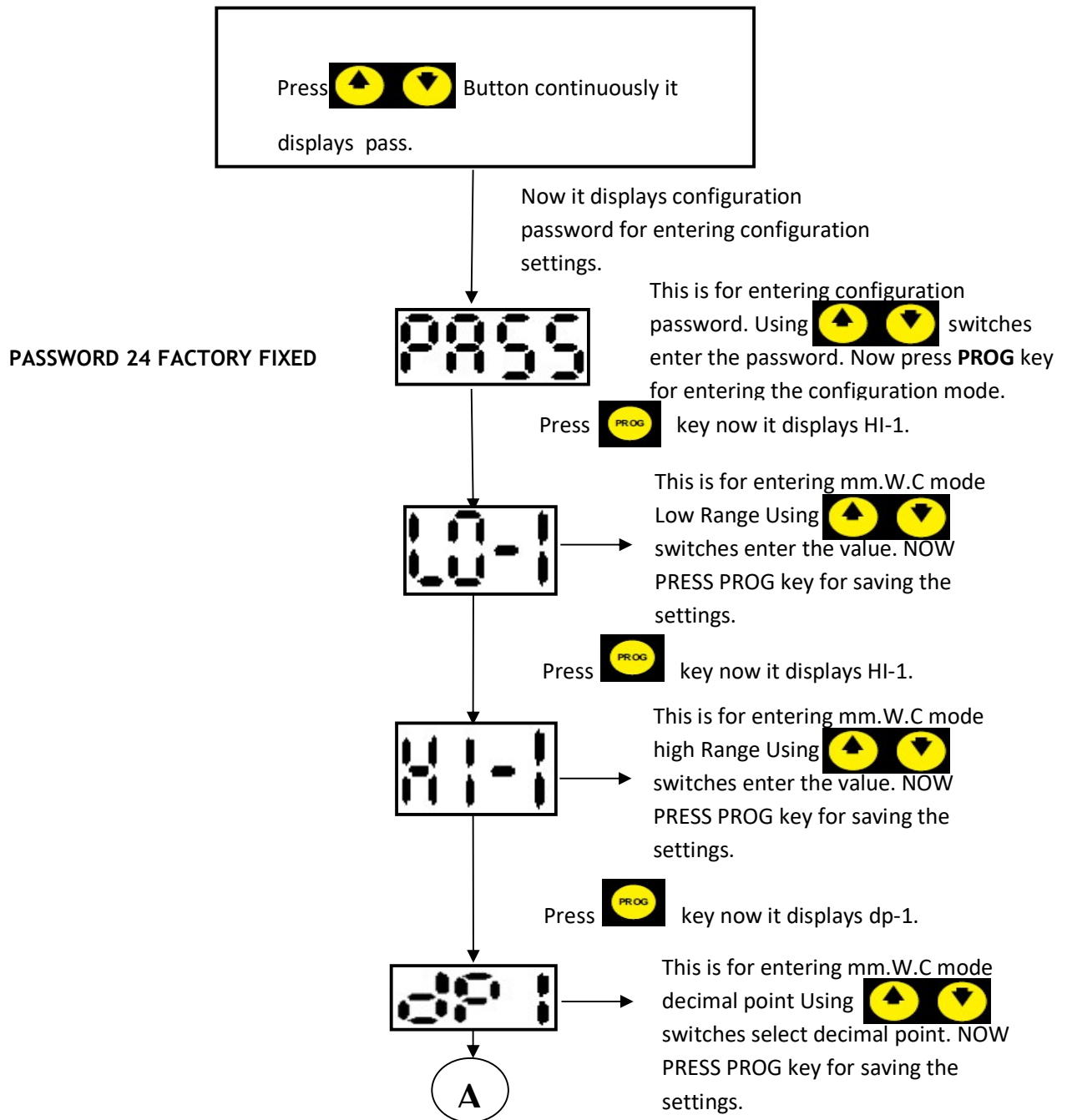
water splash proof polycarbonate front sticker

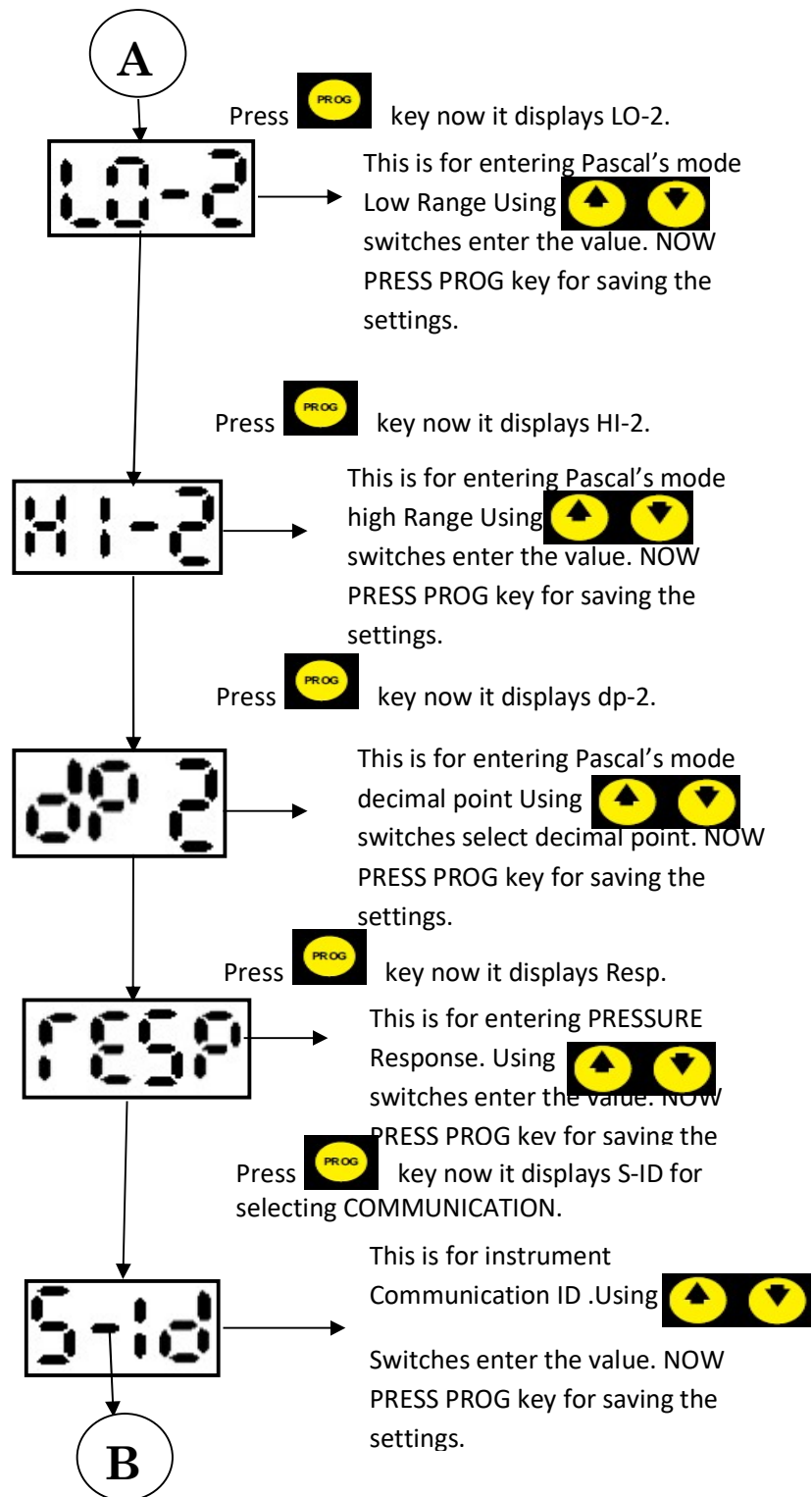
Quality is not an act, it is a habit.”



3.FLOW CHART:

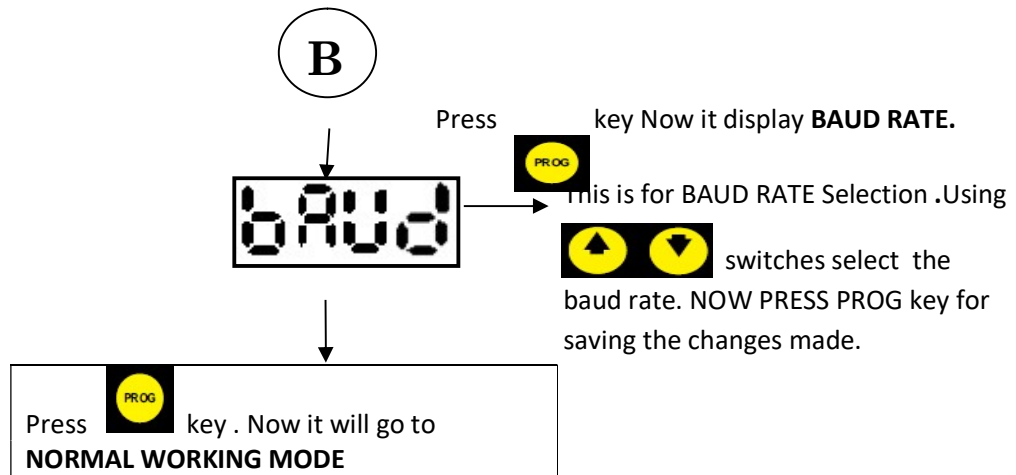
1) FLOW CHART FOR CONFIGURATION SETTINGS: -












Quality is not an act, it is a habit."





2.)Relay settings:

- Press  key , Now in the display set the password 4 Use UP and Down arrow  for setting password 4
- Press  Now SET will be displayed , now use arrow keys  for relay settings
- Press  HYS will be displayed, now use arrow keys  to set up HYS
Press key  . Now it will go to **NORMAL WORKING MODE**

3) UNIT SELECTION : -

Press enter button

- 1) Unit selection from Pascals to mm.W/c .

4) WIRING DETAILS: -

1	2	3	4	5	6	7	8
NO1	CO1	NC1	G	-	+	-	+
RELAY 1			RS 485			24 VDC	

For any technical assistance, please feel free to contact factory at the below address...

ACE INSTRUMENTS

(An ISO 9001-2008 Certified Company)

Plot No.77, Shaktipuram, Industrial Estate Kukatpally, Prashantinagar,
Hyderabad - 500072. Phones: +91-40-23078848, 32901226

Email: sales@alwaysace.com; Website: www.alwaysace.com

Quality is not an act, it is a habit."

