

THE CLEAN ROOM MONITOR

HUMIDITY TEMPERATURE DIFF. PRESSURE



Model AI-CRM1

The **Clean Room Monitor** is designed to measure the vital parameters of Temperature, Humidity & Differential Pressure in Clean Room application.

The **Model AI-CRM1** is designed for minimum cabling & easy flush mounting in Modular Wall or Brick Walls of Clean Rooms. The sensors for all 3 parameters are integrated inside for ease of use & installation.

The **Model AI-CRM2** is designed for Remote Sensors for humidity, temperature & integrated differential pressure. The 3 parameters are displayed on the instrument using external transmitters - combined Humidity & Temperature Transmitter (AI_RHT1), additional differential pressure transmitter (AI-DPT1).

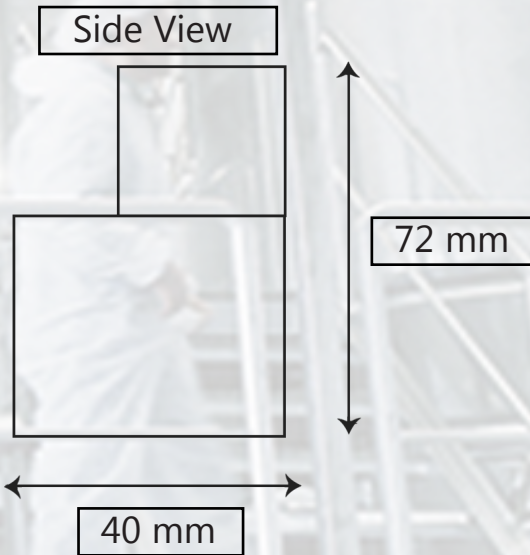
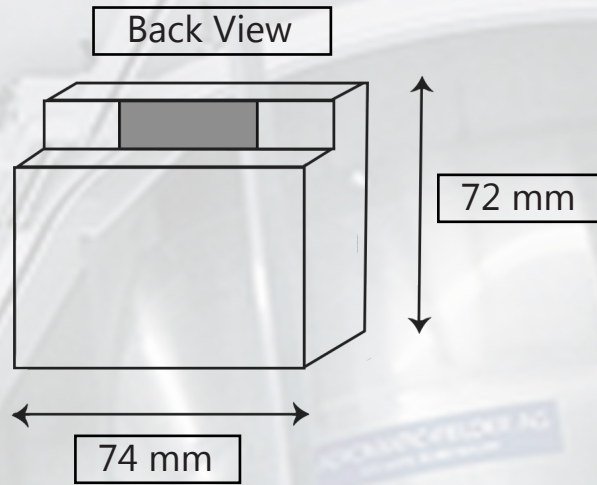
Standout features in the Clean Room Monitor include integrated buzzer for parameter violation indication, individual LED for process violation, buzzer enable / disable feature & buzzer delay option and any other customized solution.

The instruments find immense use in Pharma Clean Rooms, APIs, Bulk Drugs, Electronic Hardware Manufacturing Plants, Green Houses, etc. Easy integration to Building management Systems (BMS) & SCADA interfacing allow easy set up & great control

Specifications

- Resolution** : Fixed 0.1 for both Temperature & Relative humidity, 0.1 mm. W.C. or 1 pascal for different pressure
- Accuracy** : 1) ± 0.50 C for -30 to 500 C for temperature
2) $\pm 1.8\%$ for 10 to 95% RH for relative humidity
3) $\pm 0.5\%$ F.S. for Differential pressure
- Display** : 3 Line red 7 segment LED display
4 Digits for differential pressure on line 1
4 Digits for % R.H. (humidity) on line 2
4 Digits for temperature (deg. C) on line 3
Display height options - 0.4"High standard, optional 1"High Display
- Different Pressure Entry** : 2 nos. 4mm. hose nipples at top
- Setting** : By 4 keys on the front stainless steel panel
- Buzzer** : Integrated buzzer for alarm in case of process violation of any of the 3 parameters
- Supply Voltage** : 24VDC, 250ma/optional any other required voltage
- Mounting** : Wall mounting / Modular Wall mounting with stainless steel front flush plate for clean & rooms
- Sensors** : Integrated humidity & Temperature sensor flushed to front plate built in differential pressure sensor with brass hose nipples (chrome plated) for differential pressure at rear (4mm \times 2 Nos.)
Optional external humidity & temperature sensor
- Communication** : RS 485 Modbus Protocol (Optional)
- Dimension** : Enclosure: 73(W) \times 72(H) \times 40(D)mm
Stainless steel front plate: 110W \times 90(H) mm
- Enclosure** : M.S. powder coated body with stainless steel front flush plate for Modular wall mounting / Optional brick wall mounting

Dimensional Drawings Clean Room Monitor Main Display Unit



Store Contact:
Instrukart Holdings

Phone: +91-40-40262020, +91-9989190588 | Email : info@instrukart.com
Web: www.instrukart.com | #77, Shaktipuram Industrial Estate, Hyderabad-500072, INDIA